

Bonnie

CLUSTER 1 - 3 MEDIUM SINGLES

Dimensions:

47" L | 47" W | 28-69" H (Min-Max) / 120cm L | 120cm W |
70-174cm H (Min-Max)

Approximate weight: 22lb / 10kg each

* Height is made to order. Additional length available upon request.

* Due to the handmade nature of our pieces there may be small variances to our stated sizing.

Light source: LED. 3000K colour temperature standard,
other temperatures available on request

Dimming: Triac as standard, dimmable to any protocol on request

Bulb life: 50,000 hours

Input voltage: 110V-240V available

Power: 25W

UL/cUL compliant (110v), CE (240v)

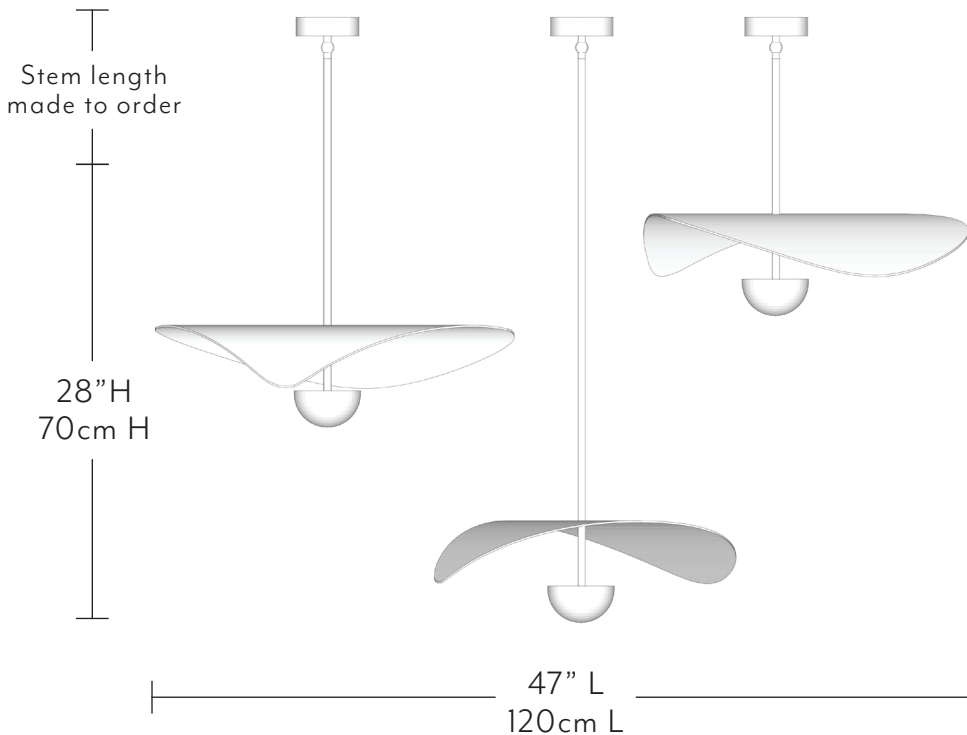
Hanging Options: Flush mounted, single canopy, or individual
canopies

Assembled and finished in Sweden.

This piece is fully customizable in size, scale, arrangement, finish and hanging.

All pieces made to order.

Lead time: 8-10 weeks.



FINISHES



Brass



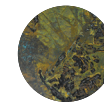
Nickel



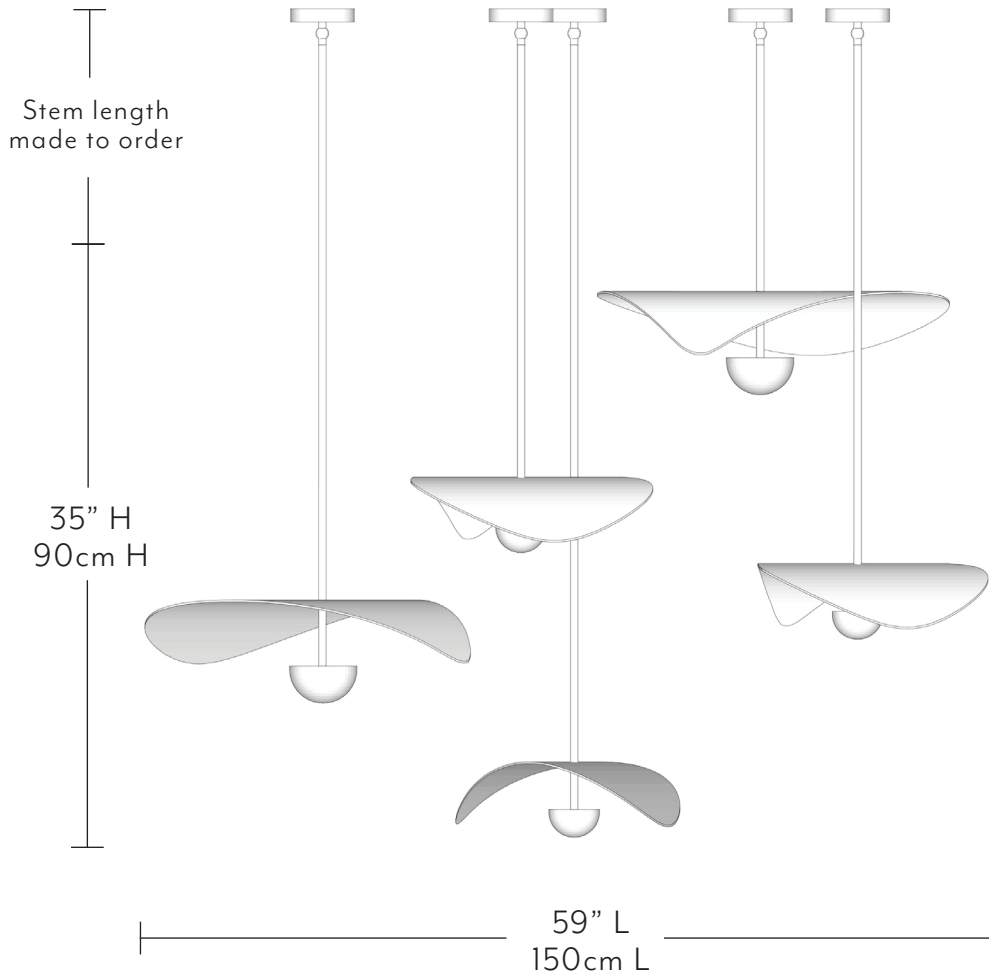
Tarnished Brass



Softened Bronze



Tarnished Bronze



Bonnie

CLUSTER 2 - 5 MIXED SINGLES

Dimensions:

59" L | 59" W | 35-67" H (Min-Max) / 150cm L | 150cm W | 90-170cm H (Min-Max)

Approximate weight: 40lb / 18kg each

* Height is made to order. Additional length available upon request.

* Due to the handmade nature of our pieces there may be small variances to our stated sizing.

Light source: LED. 3000K colour temperature standard, other temperatures available on request

Dimming: Triac as standard, dimmable to any protocol on request

Bulb life: 50,000 hours

Input voltage: 110V-240V available

Power: 40W

UL/cUL compliant (110v), CE (240v)

Hanging Options: Flush mounted, single canopy, or individual canopies

Assembled and finished in Sweden.

This piece is fully customizable in size, scale, arrangement, finish and hanging.

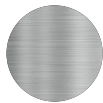
All pieces made to order.

Lead time: 8-10 weeks.

FINISHES



Brass



Nickel



Tarnished Brass



Softened Bronze



Tarnished Bronze

Bonnie

CLUSTER 3 - 6 LARGE SINGLES

Dimensions:

67" L | 67" W | 35-67" H (Min-Max) / 170cm L | 170cm W |
90-170cm H (Min-Max)

Approximate weight: 66lb / 30kg each

* Height is made to order. Additional length available upon request.

* Due to the handmade nature of our pieces there may be small variances to our stated sizing.

Light source: LED. 3000K colour temperature standard, other temperatures available on request

Dimming: Triac as standard, dimmable to any protocol on request

Bulb life: 50,000 hours

Input voltage: 110V-240V available

Power: 60W

UL/cUL compliant (110v), CE (240v)

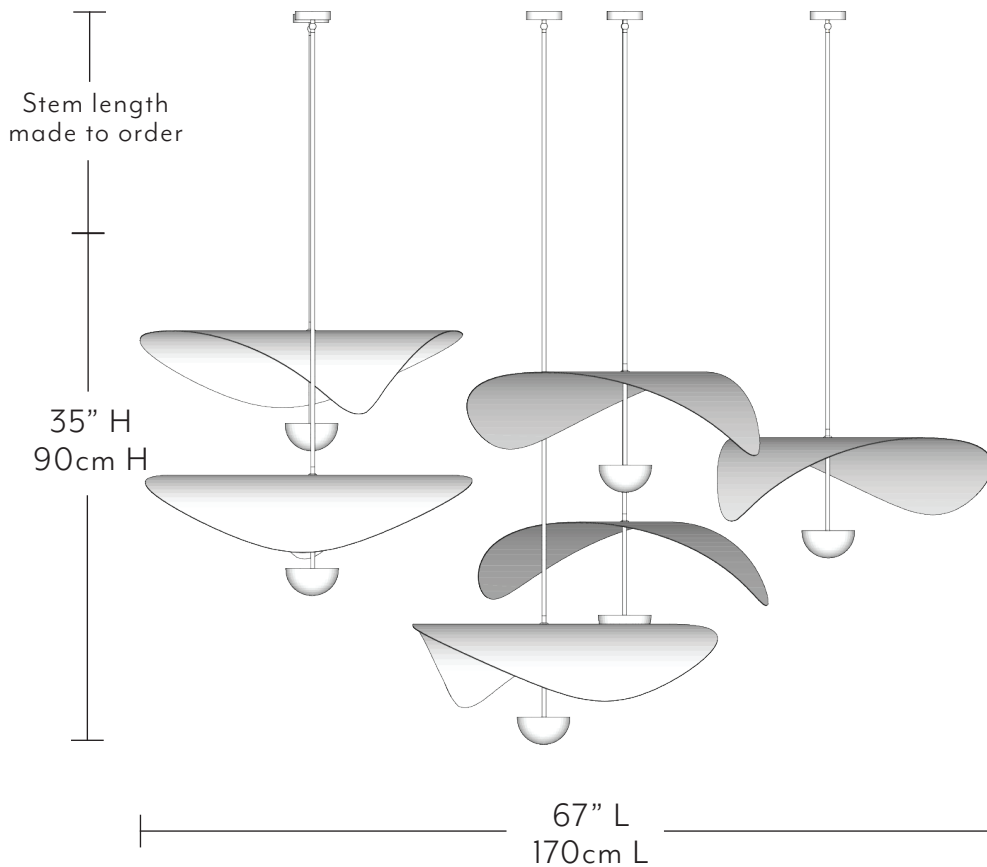
Hanging Options: Flush mounted, single canopy, or individual canopies

Assembled and finished in Sweden.

This piece is fully customizable in size, scale, arrangement, finish and hanging.

All pieces made to order.

Lead time: 8-10 weeks.



FINISHES



Brass



Nickel



Tarnished Brass



Softened Bronze



Tarnished Bronze